

DC Motor TW-977S Series

OUTPUT POWER: 3.0 - 65W (APPROX)



Features:

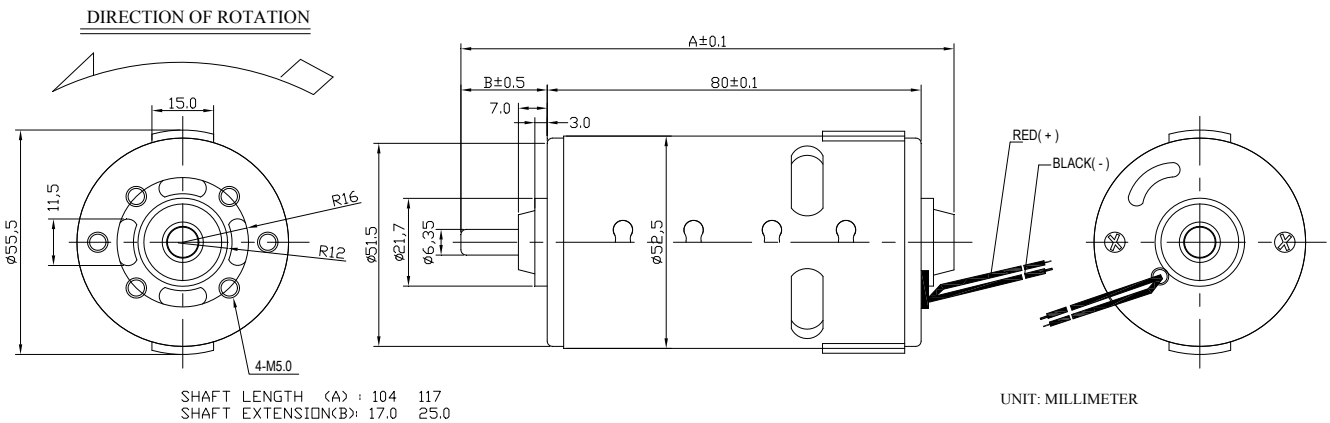
* Carbon Brush Motor.

Weight:

617g (APPROX)

Typical Application:

1. Power Tools: Compressor/ Bilge Blower/ String Trimmer/ Drill
2. Automotive Products: Secondary Air Pump / Circulation Pump
3. Toys And Models: Toys
4. Household Appliances: Vacuum Cleaner



ELECTRICAL SPECIFICATION CHART: (The specifications can be changed as customers' requirement)

Model	Voltage		At No Load		At Max Efficiency					Stall
	Workable Range		RPM	Speed A	Current RRPM	Speed A	Current G.CM	Torque W	Output %	Torque G.CM
TW-977S-23110	12.0~30.0	24.0V Constan	2550	0.16	1980	0.58	500	9.9	71.0	2800
TW-977S-25110	12.0~30.0	24.0V Constan	2670	0.21	2173	0.97	608	13.6	58.3	3267
TW-977S-3190	12.0~30.0	24.0V Constan	2900	0.25	2372	1.10	710	17.3	65.5	3900
TW-977S-3550	12.0~30.0	24.0V Constan	4800	0.50	3876	2.15	60	26.2	50.8	3400
TW-977S-3855	12.0~30.0	15.0V Constan	2700	0.35	2154	1.39	650	14.4	69.1	3200
TW-977S-4040	12.0~30.0	12.0V Constan	3190	0.51	2587	2.60	695	16.4	59.0	3695
TW-977S-4540	12.0~30.0	12.0V Constan	3210	0.52	2630	2.45	694	18.7	63.7	3695
TW-977S-5038	12.0~30.0	24.0V Constan	6800	0.60	5605	2.75	580	33.3	50.5	3300

CHARACTERISTIC CURVES:

